

### Key Facts:

Ward Topdek is a new fully proven insulated membrane roof deck system for low pitch and flat roof applications that complies with the Part L – England & Wales and Part J – Scotland Building Regulations.

### Coverage:

The Ward Organisation operates one of the largest production complexes in Europe, supplying the construction industry with roofing products throughout the UK and Europe.

### Installation & Training:

Only Latchways trained personnel are permitted to install the Constant Force post and ManSafe componentry. Following installation, Latchways will arrange for the system to be tested, certified and tagged prior to use.

Familiarisation training for the building owner is available, as is an annual inspection programme, thus ensuring that the system is

correctly maintained and complies with European safety standards.

For details of approved installers, ongoing advice and support services contact Latchways on +44 (0) 1380 732700.

### Technical Considerations:

The Constant Force post is manufactured with a specialist coating that has been tested and approved by Ward. The coating is suitable for the direct application of a hot air welded Van Besouw 1.2 mm thick PVC weathering detail to the flat flange of the base plate.

Ward Topdek is a pre-engineered system with a lifecycle of 30 years. The panel has a guaranteed thermal performance, reducing HVAC plant and energy costs.

For information regarding Ward composite roof profiles, please refer to section 3.

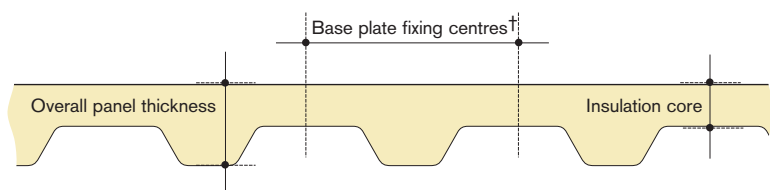


## Specification details for Ward Topdek Insulated Membrane Roofdeck System:

### Ward Topdek

Fixing centres	End anchor post set*	Intermediate post set	90° Corner post set	Variable corner post set	End anchor post set**	Pendulum post set
210	81001-00W	81002-00W	81003-00W	81004-00W	81005-00W	81006-00W

Cable order code: 00900-00 Transfastener order code: 85085-00 \*Standard end post set with tension adjustment on one end. \*\*For extra long spanning lengths use end post set with tension adjustment on both ends. (Refer to page 6:2 for details).



The base plate fixing centres must line up with the crowns of the decking.

### Profiles & widths:

Insulation core	Overall panel thickness	Base plate fixing centres	Panel name
80	118	210	Topdek

The Constant Force post is suitable for use with a Topdek panel core thickness of 80 mm and an internal deck sheet thickness of 0.7 mm. For panel core thicknesses of 34 mm and 46 mm please refer to Ward and Latchways Technical Services Department. All roofing components must be installed strictly in accordance with the various manufacturers' recommendations and specification.

The standard colour of the post is Dark Grey – RAL 7037. Other colours are available to order at additional cost subject to availability and lead time. Contact Latchways technical department for further information.

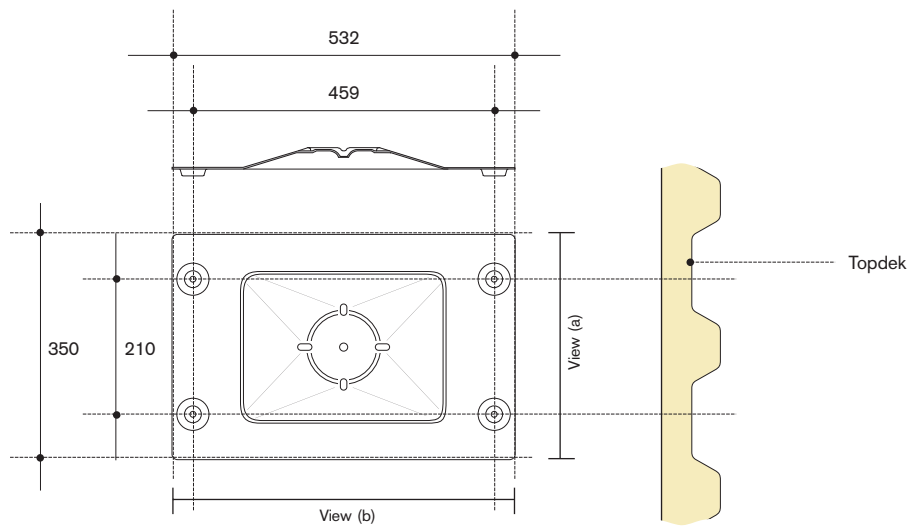
The post is not suitable for use within gutters or areas where standing water occurs. Adequate falls for drainage must be provided within the finished roof construction.

Membranes welded to the Constant Force post base plate must strictly follow the manufacturer's recommendations regarding application and working temperatures. Any decision to work below these temperatures will be the responsibility of the contractor.

† Latchways reference to base plate fixing centres is defined as the width of the fixing points for the Latchways base plate.

### Address details:

Ward Building Components Limited,  
Sherburn, Malton,  
North Yorkshire YO17 8PQ  
Tel: +44 (0) 1944 712000  
Fax: +44 (0) 1944 710555  
E-mail: wbc@wards.co.uk  
Website: www.wards.co.uk



Constant Force post base plate orientation for Ward Topdek.

